



96 x 96mm



48 x 96mm

### FEATURES

- 3 Phase (True RMS) current
- CT Primary programmable upto 5000A AC
- Auto Scrolling

### Display Specifications

Display	: Single rows, 7 segments LED Display
Digits	: 4 digits

### Input Specifications

Electrical Connection	: 3Phase-4Wire
Input Current Range	: Nominal 5A AC (Min-20mA, Max-6A)
Display Scrolling	: Automatic / Manual / Default
Power Consumption	: <8VA max
Accuracy	: Current : $\pm 1.0\%$ of F.S.
Measuring Parameters	: Current (I1, I2, I3) (Individual / Average),

### Auxiliary Supply Specifications

Supply Voltage	: 230V AC ( $\pm 10\%$ ), 50 / 60Hz
----------------	-------------------------------------

### Settable Parameters

CT Primary	: 5, 10, 15, 20, 30, 40, 50, 60, 75, 80, 100, 150, 200, 250, 300, 400, 500, 600, 800, 1000, 1200, 1500, 1600, 2000, 2500, 3000, 4000, 5000
CT Secondary	: 5A Fixed

### Environmental Specifications

Temperature	: Operating : $-10^{\circ}$ to $55^{\circ}$ C Storage : $-20^{\circ}$ to $75^{\circ}$ C
Humidity (Non-Condensing)	: Upto 85% RH

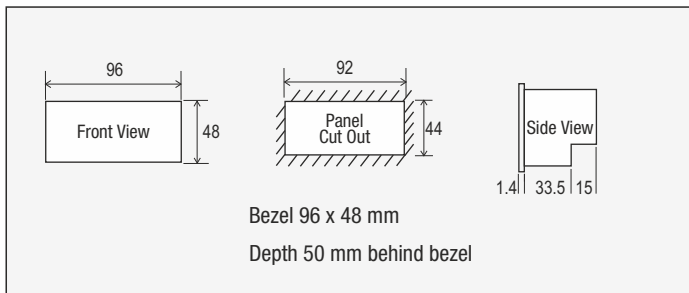
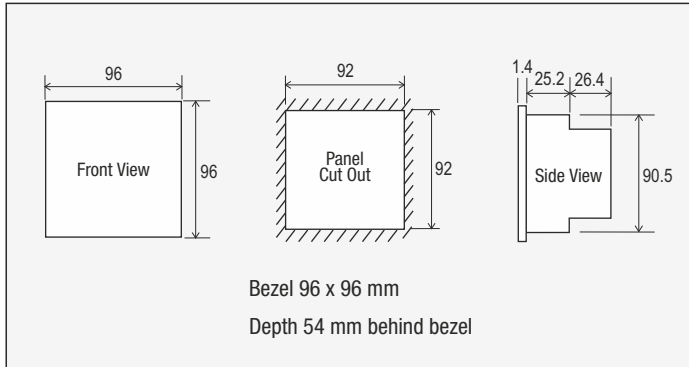
### Mechanical Specifications (96X96)

Mounting	: Panel Mount
Size	: 96X96mm
Weight	: 300gms
Screw Tightening Torque	: 0.5 NM

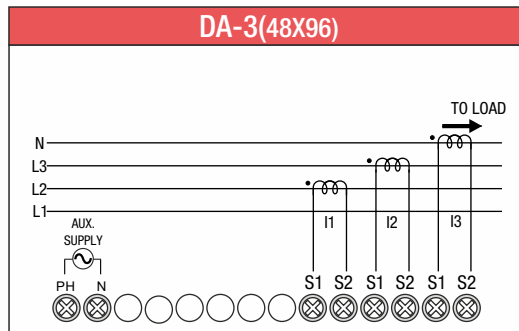
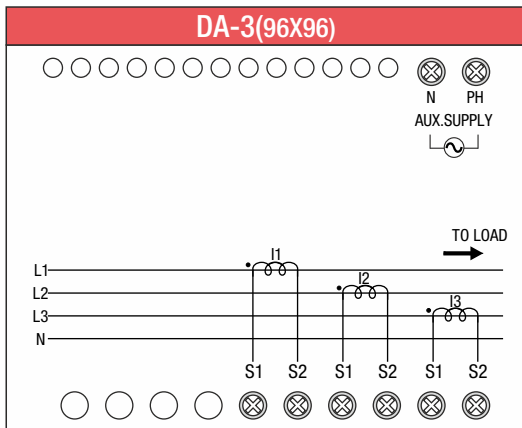
### Mechanical Specifications (48X96)

Mounting	: Panel Mount
Size	: 48X96mm
Weight	: 250gms
Screw Tightening Torque	: 0.5 NM

## Mechanical Specifications



## Connection Diagram



## Ordering Information

PRODUCT NAME	DESCRIPTIONS
DA-3 (SINGLE ROW) 96	DIGITAL AMMETER 3PHASE SINGLE ROW 96X96
DA-3 (SINGLE ROW) 48	DIGITAL AMMETER 3PHASE SINGLE ROW 48X96