



96 x 96mm

FEATURES

- 3 Phase (True rms) voltage
- 3 Phase (True rms) current
- 3 Phase Power factor
- 3 Phase Power (active, reactive, apparent)
- Frequency

Display Specifications

Display	: 3 rows, 7 segments LED Display
Digits	: 4 digits

Input Specifications

Electrical Connection	: 3Phase-4wire, 3Phase-3wire, 1Phase-2wire
Input Voltage Range	: 11 to 300V AC (Phase to Neutral) 19 to 519V AC (Phase to Phase)
Input Current Range	: Nominal 5A AC (Min-20mA, Max-6A)
Frequency	: 45 to 65Hz
Display Scrolling	: Automatic / Manual / Default
Power Consumption	: <8VA max
Accuracy	: Voltage (L-N / L-L) : $\pm 0.5\%$ of F.S. Current : $\pm 0.5\%$ of F.S. Power Factor : $\pm 1.0\%$ Electrical Frequency : $\pm 0.2\%$ Measuring Voltage >11V For L - L voltage > 35V Power (Active, Reactive, Apparent) : 1%
Memory Retention	: 10 years (For Energy)
Measuring Parameters	: Voltage (L-L / L-N) (Individual / Average), Current (I1, I2, I3) (Individual / Average), Frequency, Power factor (Individual / Average) Active power, Reactive & Apparent. power (Individual / Average), Run hour, RPM, Auxillary Interrupt

Auxiliary Supply Specifications

Supply Voltage	: 230V AC ($\pm 10\%$), 50/60 Hz or 110V AC ($\pm 1.0\%$)
----------------	--

Settable Parameters

CT Primary	: 5-5000A AC (Programmable for any value)
CT Secondary	: 5A AC or 1A (Factory Settable)
PT Primary	: 100V to 500kV AC (Programmable for any value)
PT Secondary	: 100V to 500V AC (Programmable for any value)

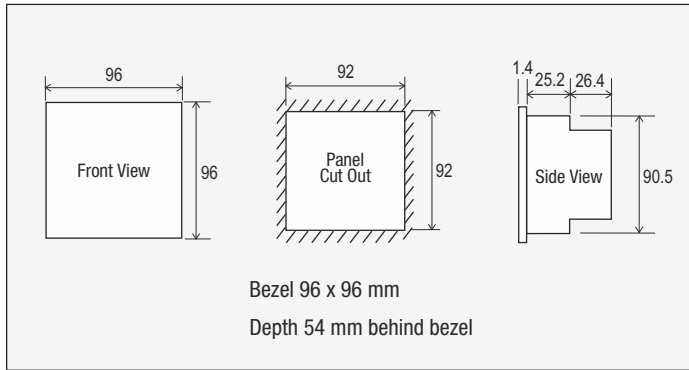
Environmental Specifications

Temperature	: Operating : -10° to 55° C Storage : -20° to 75° C
Humidity (Non-Condensing)	: Upto 85% RH

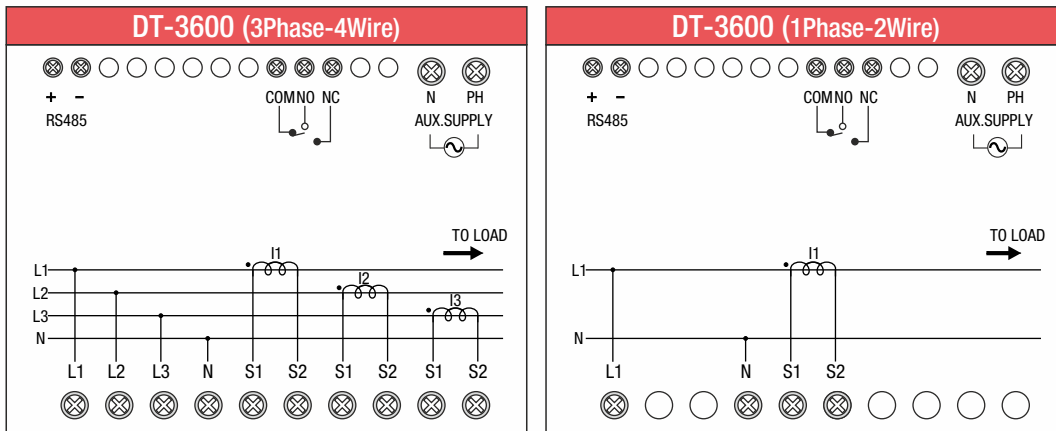
Mechanical Specifications

Mounting	: Panel Mount
Size	: 96X96mm
Weight	: 300gms
Screw Tightening Torque	: 0.5 NM

Mechanical SPECIFICATIONS



Connection Diagram



Ordering Information

Product Name	Discription
DT3600-3PH	MFM DT3600-3PHASE
DT3600-3PH-RS	MFM DT3600-3PHASE-RS485
DT3600-3PH-AL	MFM DT3600-3PHASE-ALARM
DT3600-3PH-AL-RS	MFM DT3600-ALARAM-RS485
DT3600-1PH	MFM DT3600-1PHASE
DT3600-1PH-RS	MFM DT3600-1PHASE-RS485
DT3600-1PH-AL	MFM DT3600-1PHASE-ALARM
DT3600-1PH-AL-RS	MFM DT3600-1PHASE-ALARM-RS485