



96 x 96mm

FEATURES

- 3 Phase True RMS (Voltage, Current)
- 3 Phase Power (Active, Reactive, Apparent)
- Energy (Active, Apparent)
- Programmable CT / PT (Primary / Secondary)
- Run Hour Auxiliary Interrupts

Display Specifications

Display	: 3 rows, 7 segments LED Display
Digits	: 4 digits
Energy	: 8 Digit Energy (4 Digit 2 nd Row as MSB 4 Digit 3 rd Row as LSB)

Input Specifications

Electrical Connection	: 3Phase-4Wire, 3Phase-3Wire, 1Phase-2Wire
Input Voltage Range	: 11 to 300V AC (L-N) 19 to 519V AC (L-L)
Input Current Range	: Nominal 5A AC (Min-20mA, Max-6A)
Frequency	: 45 to 65Hz
Display Scrolling	: Automatic / Manual / Default
Power Consumption	: 8VA max
Display Reset	: Programmable For energy (Active & Apparent)
Resolution	: For energy : 0.01k, 0.1k, 1k, 0.01M, 0.1M, 1M (Depending upon CT ratio X PT ratio) For Power, Voltage, Current : Auto Resolution For Power Factor : 0.001
Accuracy	: Voltage (L-N / L-L) : 0.5% of F.S. Current : 0.5% of F.S. Power Factor : $\pm 1.0\%$ Frequency : 0.2% For L-N Voltage >20V For L-L Voltage >35V Power (Active, Apparent) : 1%
Memory Retention	: 10 years (For energy)
Measuring Parameters	: Voltage (L-L / L-N) (Individual / Average), Current (Individual / Average), Frequency, Power Factor (Individual / Average), Active, & Apparent Power (Individual / Total), Active & Apparent Energy (Total), Run Hour, Auxiliary Interrupt, RPM
DG Input	: 230V AC (For DG models only)

Output Specifications

Communication interface & protocol	: RS485 and MODBUS RTU
Communication Address	: 1 to 255
Transmission Mode	: Half duplex
Transmission Distance	: 500 meter maximum
Transmission Speed	: 9600(in bps)
Parity	: None
Stop Bits	: 1
Response Time	: 100ms (max and independent of bund rate)

Auxiliary Supply Specifications

Supply Voltage	: 230V ($\pm 10\%$) AC, 50 / 60Hz (Default) or 80-270V AC/DC (Optional) or 110V AC(Optional)
----------------	--

Settable Parameters

CT Primary	: 5-5000A AC(Programmable for any value)
CT Secondary	: 5A or 1A AC(Factory Settable)
PT Primary	: 100V to 500kV AC(Programmable for any value)
PT Secondary	: 100V to 500V(Programmable for any value)

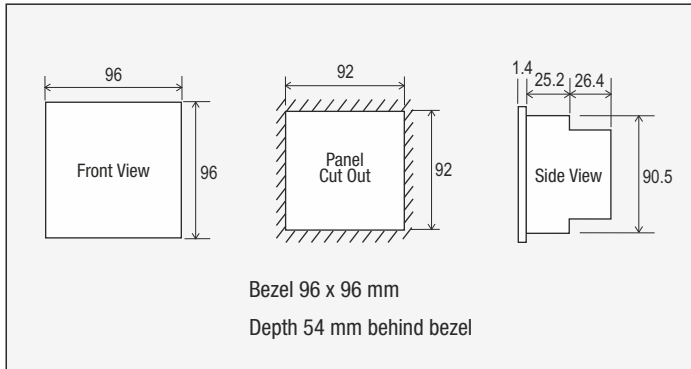
Environmental Specifications

Temperature	: Operating : -10 ^o to 55 ^o C Storage : -20 ^o to 75 ^o C
Humidity (Non-Condensing)	: Upto 85% RH

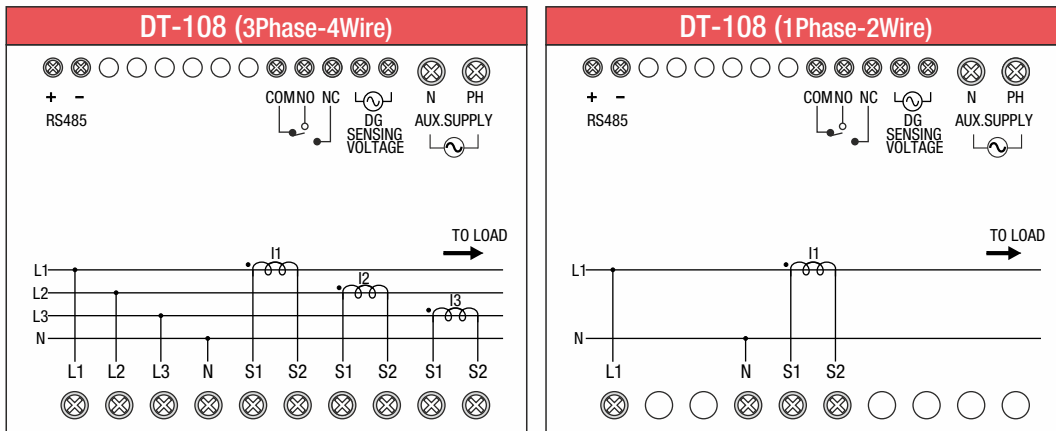
Mechanical Specifications

Mounting	: Panel Mount
Size	: 96X96mm
Weight	: 300gms
Screw Tightening Torque	: 0.5 NM

Mechanical Specifications



Connection Diagram



Ordering Information

PRODUCT NAME	DESCRIPTIONS
DT108-3PH	MFM DT108 3PHASE
DT108-3PH-DG	MFM DT108 3PHASE DG
DT108-3PH-RS	MFM DT108 3PHASE RS485
DT108-3PH-AL	MFM DT108 3PHASE ALARM
DT108-3PH-DG-RS	MFM DT108 3PHASE DG RS485
DT108-3PH-DG-RS-AL	MFM DT108 3PHASE DG RS485 ALARM
DT108-1PH	MFM DT108 1PHASE
DT108-1PH-DG	MFM DT108 1PHASE DG
DT108-1PH-RS	MFM DT108 1PHASE Rs485
DT108-1PH-AL	MFM DT108 1PHASE ALARM
DT108-1PH-DG-RS	MFM DT108 1PHASE DG RS485
DT108-1PH-DG-RS-AL	MFM DT108 1PHASE DG RS485 ALARM

NOTE: ETHERNET MODEL AVAILABLE ON REQUEST