



96 x 96mm

FEATURES

- 1CT-3 phase sensing
- Intelligent Algorithm which Automatically switches between capacitor banks.
- 4,6,8,12 steps.
- Auto detection of kVAR values.
- Universal Auxillary supply.

Display Specifications

Type	: 7 Segment LED
Digits	: 4 digits 1 Row

Input Specifications

Rated Input Voltage	: 40-300V AC (L-N)
Rated Input Current	: Nominal 5A/AC (Min 50mA, Max 6A)
Frequency	: 45-65 Hz
Burden	: <8VA
Wiring Input	: L-N
Accuracy	: Power factor $\pm 1.0\%$

Settable Parameters

CT Primary	: 5A or 1A (Factory Settable)
------------	-------------------------------

Output Specifications

Output Contacts	: NO / NC One common point Max fuse 6A
Steps	: Upto 12 steps (Max)
Relay Contact	: 5A @ 230VAC (Max)

Auxiliary Supply Specifications

Input voltage range	: 85 - 270V AC/DC
Consumption	: 7VA max
Frequency	: 50-60 Hz

Control Specifications

Target PF	: Units (Already Set)
Control Sensitivity	: 5 to 100%
Discharge & Reconnection	: .020 sec (Fixed)
Control Mode	: Automatic

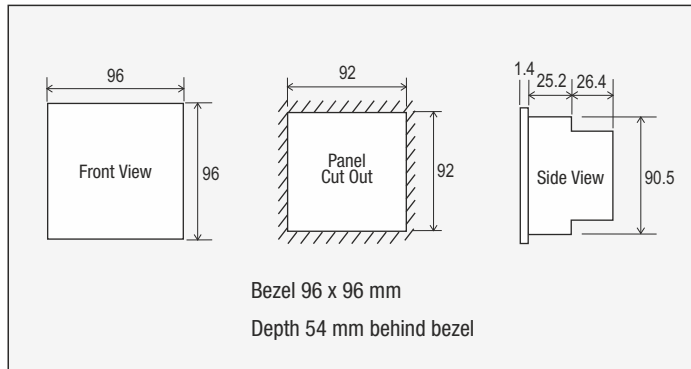
Environmental Specifications

Temperature	: Operating Temperature : 0° to 60°C
	: Storage Temperature : -20° to 60°C
Humidity (non- Condensing)	: 0% to 95%

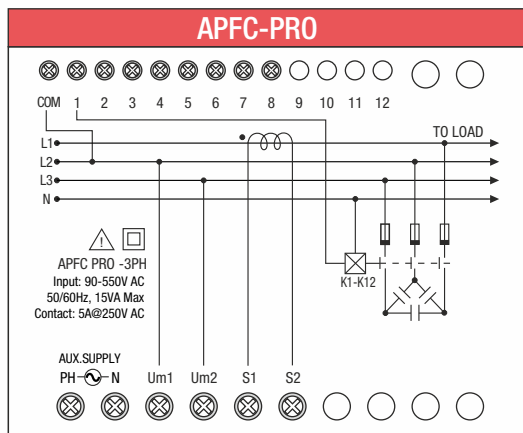
Mechanical Specifications

Mounting	: Panel Mount
Size	: 96X96mm
Weight	: 300gms
Screw Tightening Torque	: 0.5 NM

Mechanical Specifications



Connection Diagram



Ordering Information

Product Name	Discriptions
APFC-PRO-3CT-3PH-4R	APFC PRO-96X96 1CT 3PH 4 STAGE-415V
APFC-PRO-3CT-3PH-6R	APFC PRO-96X96 1CT 3PH 6 STAGE-415V
APFC-PRO-3CT-3PH-8R	APFC PRO-96X96 1CT 3PH 8 STAGE-415V
APFC-PRO-3CT-3PH-12R	APFC PRO-96X96 1CT 3PH 12 STAGE-415V