



96 x 96mm



48 x 96mm

## FEATURES

- Frequency Indication

### Display Specifications

Type	: 7 segments LED Display
Digits	: 4 digits
Digit Height	: 0.56" (14.2mm)

### Input Specifications

Electrical Connection	: 1Phase-2Wire
Input Voltage Range	: 50-550V AC
Measurement Range	: 45 to 65Hz
Resolution	: 0.01
Accuracy	: $\pm 0.05$ Hz

### Auxiliary Supply Specifications

Supply Voltage	: 110V AC $\pm 10\%$ (45 - 65Hz) or 240V AC $\pm 10\%$ (45 - 65Hz) (Default)
----------------	---------------------------------------------------------------------------------

### Environmental Specifications

Temperature	: Operating Temperature: $-10^{\circ}$ to $55^{\circ}$ C(32 to 122F) Storage Temperature: $-20^{\circ}$ to $75^{\circ}$ C(32 to 158F)
Humidity (non-condensing)	: Up to 95% RH

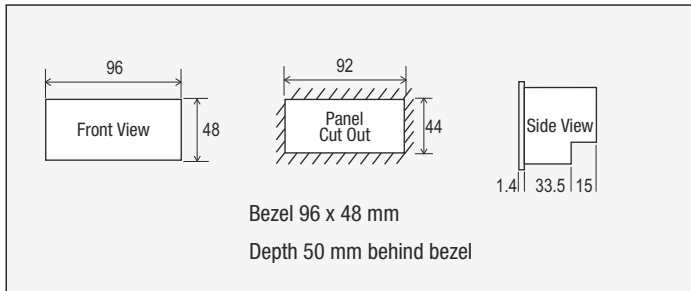
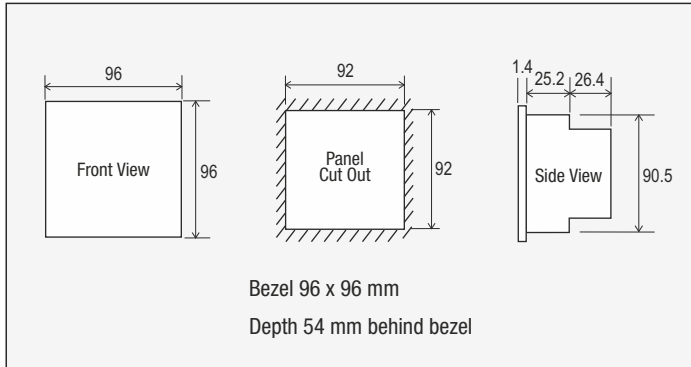
### Mechanical Specifications

Mounting	: Panel Mount
Size	: 96X96mm
Weight	: 300gms
Screw Tightening Torque	: 0.5 NM

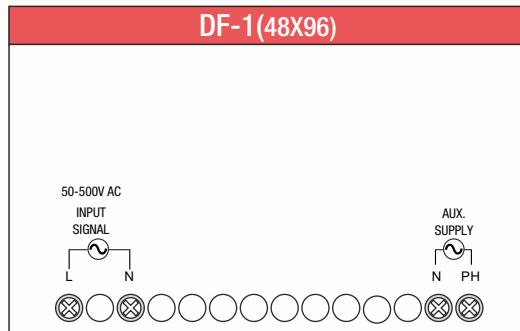
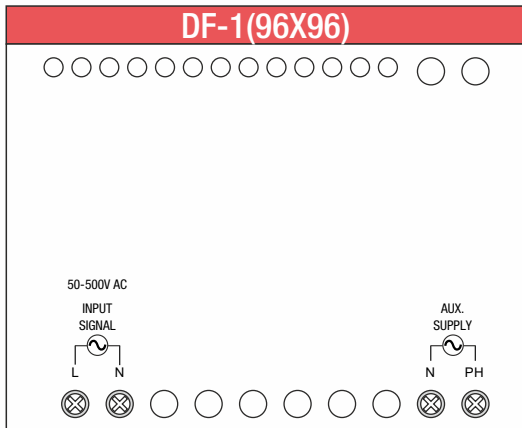
### Mechanical Specifications (48X96)

Mounting	: Panel Mount
Size	: 48X96mm
Weight	: 250gms
Screw Tightening Torque	: 0.5 NM

## Mechanical Specifications



## Connection Diagram



## Ordering Information

PRODUCT NAME	DESCRIPTIONS
DF-1(96)	DIGITAL FREQUENCY METER 96X96
DF-1(48)	DIGITAL FREQUENCY METER 48X96