



96 x 96mm

FEATURES

- POWER FACTOR METER 1Phase & 3Phase
- 3 Digit Resolution

Display Specifications

Type	: 1 rows, 7 segments LED Display
Digits	: 4 digits
	:

Input Specifications

Electrical Connection	: 3Phase-4Wire, 3Phase-3Wire, 2Phase-3Wire, 1Phase-2Wire
Input Voltage Range	: 11 to 300V AC (L-N), 19 to 519V AC (L-L)
Input Current Range	: Nominal 5A AC (Min - 11mA, Max - 6A)
Frequency	: 45 to 65Hz
Display Scrolling	: Automatic / Manual / Default
Power Consumption	: 8VA max
Accuracy	: Power Factor : $\pm 1.0\%$
Measuring Parameters	: Power Factor (Phase wise / Total), Lead Indicator ve Signal Lead Indicator No Signal
Resolution	: 0.001

Auxiliary Supply Specifications

Supply Voltage	: 240V AC (10%), 50 / 60Hz (Default) Or 80-270V AC/DC (Optional) Or 110V AC10% AC (Optional)
----------------	--

Settable Parameters

CT Primary	: 5A to 5000A AC (Programmable for any value)
CT Secondary	: 5A or 1A AC (Factory Settable)
PT Primary	: 100V to 500kV AC (Programmable for any value)
PT Secondary	: 100V to 500V AC (L-L) (Programmable for any value)

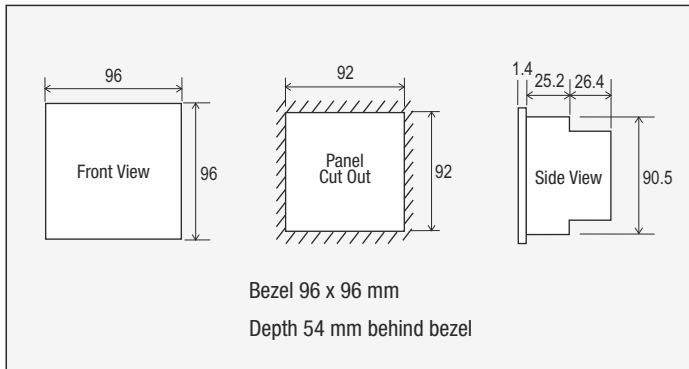
Environmental Specifications

Temperature	: Operating Temperature : -10° to 55° C Storage Temperature : -20° to 75° C
Humidity (non-condensing)	: Up to 85% RH

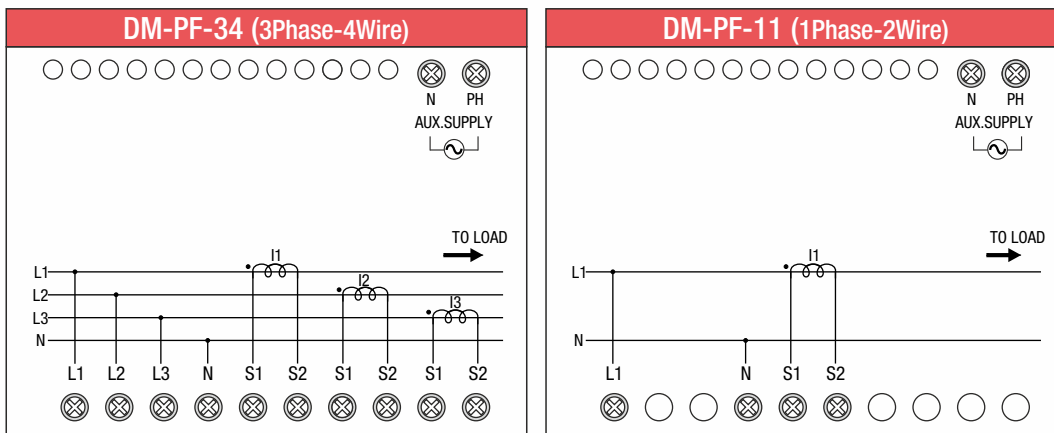
Mechanical Specifications

Mounting	: Panel Mount
Size	: 96X96mm
Weight	: 300gms
Screw Tightening Torque	: 0.5 NM

Mechanical Specifications



Connection Diagram



Ordering Information

PRODUCT NAME	DESCRIPTIONS
DM-PF-11	DIGITAL POWER FACTOR 1 PHASE VOLTAGE 1 PHASE CURRENT
DM-PF-31	DIGITAL POWER FACTOR 3 PHASE VOLTAGE 1 PHASE CURRENT
DM-PF-33	DIGITAL POWER FACTOR 3 PHASE VOLTAGE 2 PHASE CURRENT
DM-PF-34	DIGITAL POWER FACTOR 3 PHASE VOLTAGE 3 PHASE CURRENT