



96 x 96mm

## FEATURES

- Watt Meter Phase wise & Total
- 4 Digit Display

## Display Specifications

Display	: Single Row, 7 segment LED Display
Digits	: 4 digits

## Input Specifications

Electrical Connection	: 3Phase-4wire, 3Phase-3wire, 1Phase-2wire
Input Type	: 11 to 300V AC (L - N) 19 to 519V AC (L - L)
Input Current Range	: Nominal 5A AC (Min-14mA, Max-6A)
Frequency	: 45 / 65Hz
Display Scrolling	: Automatic / Manual / Default
Power Consumption	: 8VA max
Display Reset	: Programmable (For energy, Auxiliary interrupt, Run hour)
Resolution	: Watt Meter Auto
Accuracy	: Power (Active) 1%
Measuring Parameters	: Wattmeter phase wise and total

## Auxiliary Supply Specifications

Auxiliary Supply	: 240V AC (10%), 50 / 60Hz (Default) Or 80-270V AC/DC (Optional) Or 110V AC10% AC (Optional)
------------------	--

## Settable Parameters

CT Primary	: 5-5000A AC(Programmable for any value)
CT Secondary	: 5A or 1A AC(Factory Settable)
PT Primary	: 100V to 500kV AC(Programmable for any value)
PT Secondary	: 100V to 500V(Programmable for any value)

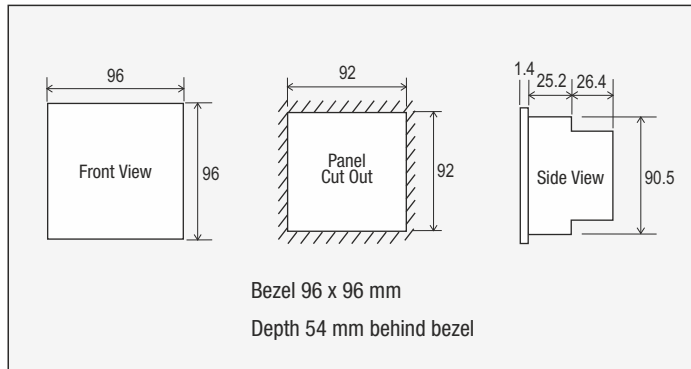
## Environmental Specifications

Temperature	: Operating: -10° to +55°C (14° to 131°F) : Storage: -20° to 75°C(-4° to 167°F)
Humidity (Non-Condensing)	: 0% to 85%

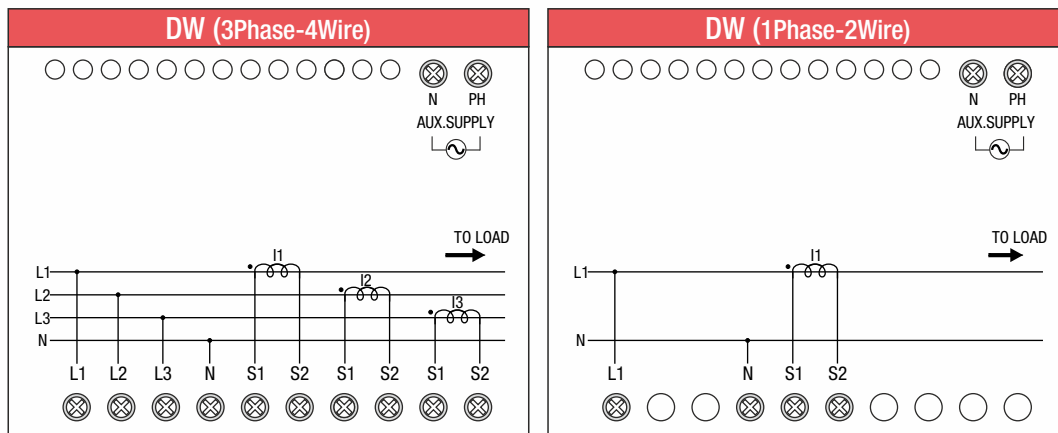
## Mechanical Specifications

Mounting	: Panel Mount
Size	: 96X96mm
Weight	: 300gms
Screw Tightening Torque	: 0.5 NM

## Mechanical Specifications



## Connection Diagram



## Ordering Information

PRODUCT NAME	DESCRIPTIONS
DM-W-11	DIGITAL WATTMETER 1 PHASE 1 ELEMENT
DM-W-33	DIGITAL WATTMETER 3 PHASE 2 ELEMENT
DM-W-34	DIGITAL WATTMETER 3 PHASE 3 ELEMENT