



96 x 96mm



48 x 96mm

FEATURES

- 3 Phase (True RMS) voltage
- Auto Scrolling

Display Specifications

Display	: Single rows, 7 segments LED Display
Digits	: 4 digits

Input Specifications

Electrical Connection	: 3Phase-4Wire
Input Voltage Range	: 11 to 300V AC (Phase to Neutral) 19 to 519V AC (Phase to Phase)
Frequency	: 45 to 65Hz
Display Scrolling	: Automatic / Manual / Default
Power Consumption	: <8VA max
Accuracy	: Voltage (L-N / L-L) : $\pm 1.0\%$ of F.S. (For Measuring Voltage >11V For L-L Voltage >35V)
Measuring Parameters	: Voltage (L-L / L-N) (Individual / Average),

Auxiliary Supply Specifications

Supply Voltage	: 230V $\pm 10\%$ AC, 50 / 60Hz
----------------	---------------------------------

Environmental Specifications

Temperature	: Operating : -10° to 55° C Storage : -20° to 75° C
Humidity (Non-Condensing)	: Upto 85% RH

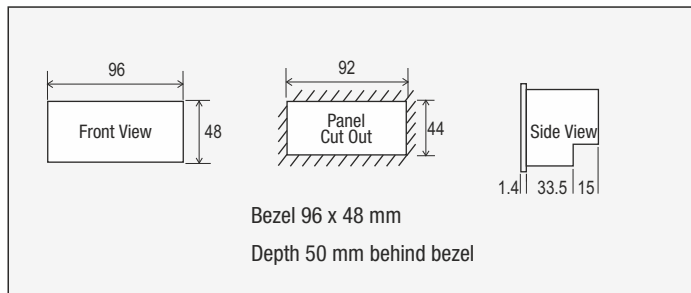
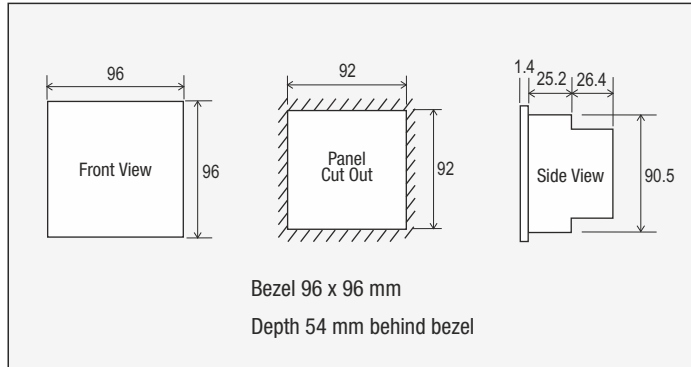
Mechanical Specifications (96X96)

Mounting	: Panel Mount
Size	: 96X96mm
Weight	: 300gms
Screw Tightening Torque	: 0.5 NM

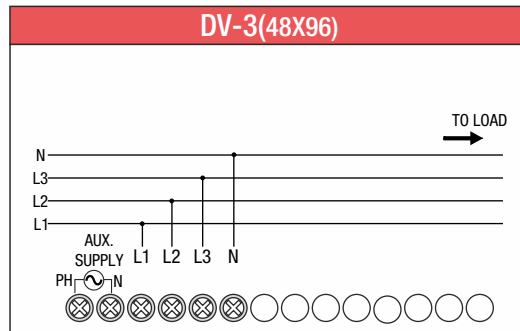
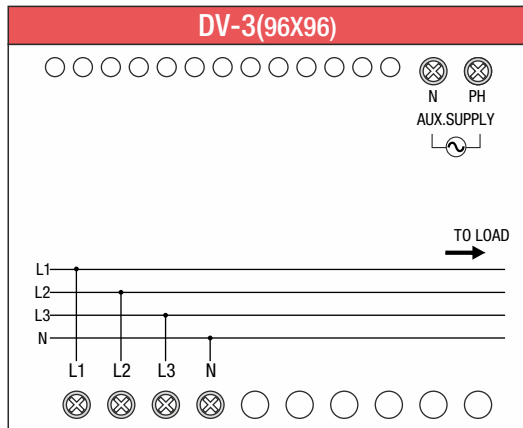
Mechanical Specifications (48X96)

Mounting	: Panel Mount
Size	: 48X96mm
Weight	: 250gms
Screw Tightening Torque	: 0.5 NM

Mechanical Specifications



Connection Diagram



Ordering Information

Product Name	Discription
DV-3 (SINGLE ROW) 96	DIGITAL VOLTMETER 3PHASE 1ROW 96X96
DV-3 (SINGLE ROW) 48	DIGITAL VOLTMETER 3PHASE 1ROW 48X96